



# Telescoping Crawler Crane

EU Stage III B Compliant Engine

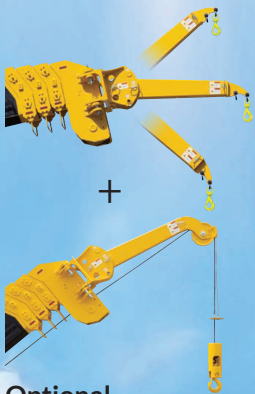
# CC1485S-1

EU Stage III A Compliant Engine **NEW**

# CC1485S3-1



Optional Fly Jib (820kg)



Optional Searcher Hook (2.0t)  
+ Single Fall Hook (1.5t)

|   |                     |                   |
|---|---------------------|-------------------|
| Crane Capacity  | Max. Lifting Height | Pick & Carry Duty |
| <b>6.0t × 2.6m</b>                                      | <b>16.7m</b>        | <b>2,000kg</b>    |
| Max. Lifting Height with Optional Fly Jib: <b>22.0m</b> |                     |                   |



Minimal Tail Swing



Programmable Moment Limiter



New 7 inch Multi Monitor

4 Fall / 2 Fall Hook Block



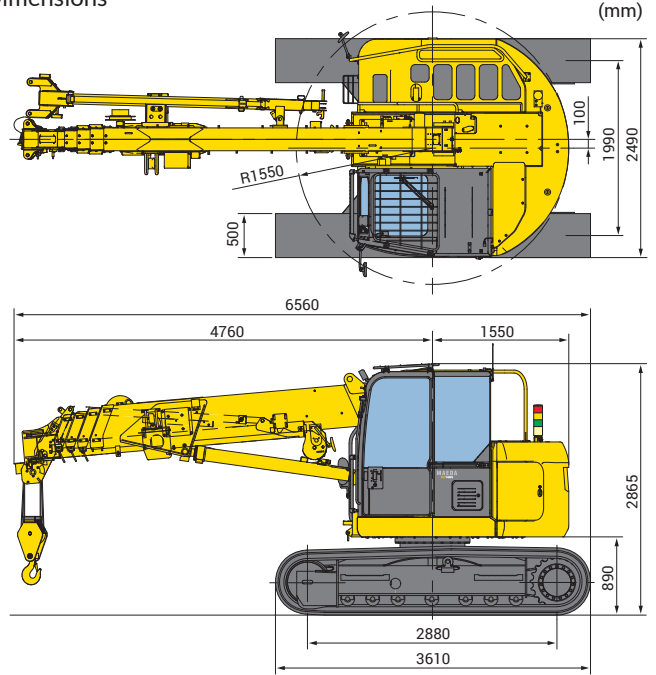
Rear View Camera & Monitor



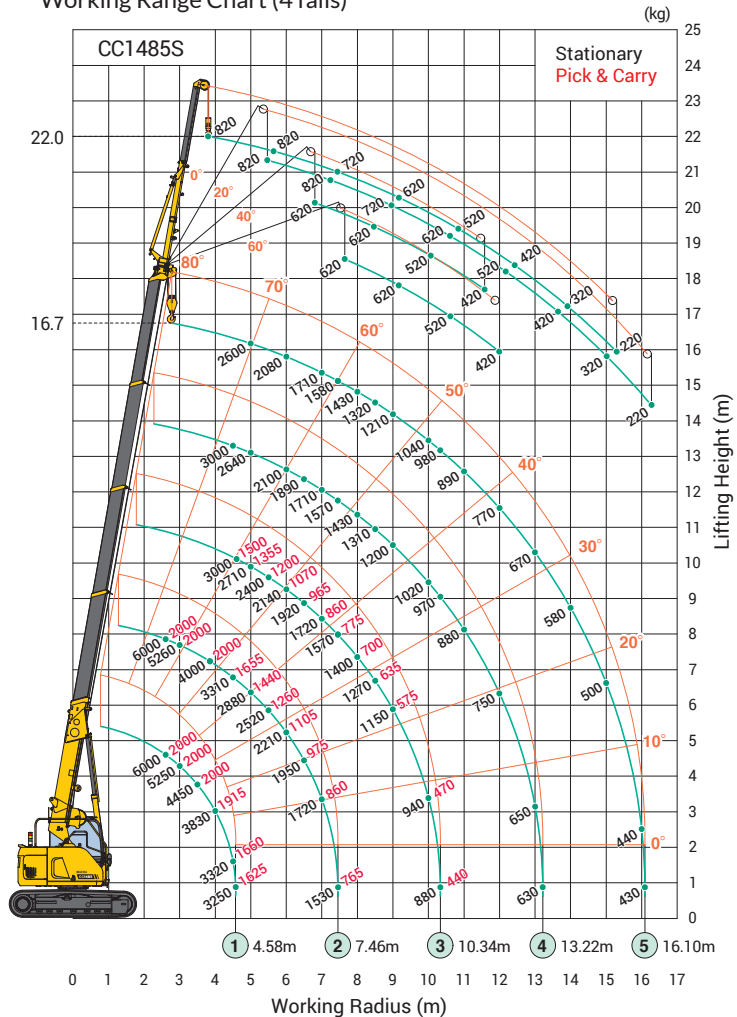
| Model                           |   | CC1485S-1 / CC1485S3-1   |                                |
|---------------------------------|---|--|--------------------------------|
| Crane capacity                  |   | 6.0t x 2.6m  |                                |
| Max. working radius             |   | 16.1m  |                                |
| Max. lifting height             |   | 16.7m (22.0m with fly jib)   |                                |
| Max. reach below ground         |   | -24.5m (4 falls) / -50.5m (2 falls) / -103.5m (1 fall)                               |                                |
| Pick & Carry capacity           |   | 2.0t   |                                |
| Machine Weight (CC1485S-1)      |   | 14,400kg (14,700kg with fly jib)   |                                |
| Machine Weight (CC1485S3-1)     |   | 14,370kg (14,670kg with fly jib)   |                                |
| Overall length x width x height |   | 6,560mm x 2,490mm x 2,865mm  |                                |
| Crawler width                   |   | 500mm  |                                |
| Tail swing                      |   | 1,550mm  |                                |
| Winch system                    | Number of wire falls for Hook   | 4 falls / 2 falls  |                                |
|                                 | Hook speed  | Low  | 32.0m/min (4 layers, 4 falls)  |
|                                 |   | High   | 46.0m/min (4 layers, 4 falls)  |
| Hoist wire rope                 | IWRC 6 x Fi(29) φ10mm x 115m  |  |                                |
| Telescopic system               | Boom type   | Fully automatic 5-section heptagonal telescopic boom                                 |                                |
|                                 | Boom length   | 4.745m - 7.625m - 10.505m - 13.385m - 16.265m  |                                |
| Boom telescoping stroke / time  | 11.52m / 32sec  |  |                                |
| Boom hoist system               | Hoist angle / time  | -4 ~ 80 degree / 19 sec  |                                |
| Slew system                     | Slew angle / time   | 360deg / 2.1rpm  |                                |
|                                 |   |  |                                |
| Drive system                    | Travel speed  | Low  | Forward & backward 0 ~ 1.9km/h |
|                                 |   | High   | Forward & backward 0 ~ 3.1km/h |
|                                 | Gradability   | 34 deg   |                                |
| Ground pressure                 | CC1485S-1   | 49.0kPa (0.50kgf/cm <sup>2</sup> ) [50.0kPa (0.51kgf/cm <sup>2</sup> ) with fly jib] |                                |
|                                 | CC1485S3-1  | 48.9kPa (0.50kgf/cm <sup>2</sup> ) [49.9kPa (0.51kgf/cm <sup>2</sup> ) with fly jib] |                                |
| Engine                          | Model   | ISUZU 4LE2XDPC   |                                |
|                                 | Emission level  | EU Stage IIIB  |                                |
|                                 | Rated output  | 40.3kW / 2,000min <sup>-1</sup> (54.8PS / 2,000rpm)                                  |                                |
|                                 | Model   | ISUZU 4LE2XYJB   |                                |
|                                 | Emission level  | EU Stage IIIA  |                                |
|                                 | Rated output  | 39.5kW / 2,000min <sup>-1</sup> (53.7PS / 2,000rpm)                                  |                                |
| Displacement                    | 2.179L (2,179cc)  |  |                                |
|                                 | Fuel / Fuel tank capacity   | Diesel / 140.0L  |                                |
| Safety device                   | Hydraulic safety valve, Overwind protection, Level, Safety lock lever, Tilt alarm, EMO switch, Moment limiter, LED working status lamp, Rear view camera, Data logger |  |                                |
| Optional equipment              | Rubber pads (weight 470kg), Single fall hook, Fly jib (820kg capacity), Slew restriction device, Searcher hook (2,000kg capacity)                                     |  |                                |

# CC1485S-1 / CC1485S3-1

Dimensions



Working Range Chart (4 falls)



Rated Total Load Chart (4 falls)

unit: kg

| Working radius (m) | 4.745m Boom |              | 7.625m Boom |              | 10.505m Boom |              | 13.385m Boom |              | 16.265m Boom |              |
|--------------------|-------------|--------------|-------------|--------------|--------------|--------------|--------------|--------------|--------------|--------------|
|                    | Stationary  | Pick & Carry | Stationary  | Pick & Carry | Stationary   | Pick & Carry | Stationary   | Pick & Carry | Stationary   | Pick & Carry |
| 2.00               | 6000        | 2000         | 6000        | 2000         | 3000         | 1500         |              |              |              |              |
| 2.50               | 6000        | 2000         | 6000        | 2000         | 3000         | 1500         | 3000         |              |              |              |
| 2.60               | 6000        | 2000         | 6000        | 2000         | 3000         | 1500         | 3000         |              |              |              |
| 3.00               | 5250        | 2000         | 5260        | 2000         | 3000         | 1500         | 3000         |              | 2600         |              |
| 3.20               | 4910        | 2000         | 4920        | 2000         | 3000         | 1500         | 3000         |              | 2600         |              |
| 3.50               | 4450        | 2000         | 4460        | 2000         | 3000         | 1500         | 3000         |              | 2600         |              |
| 3.85               | 4000        | 2000         | 4000        | 2000         | 3000         | 1500         | 3000         |              | 2600         |              |
| 4.00               | 3830        | 1915         | 3820        | 1910         | 3000         | 1500         | 3000         |              | 2600         |              |
| 4.50               | 3320        | 1660         | 3310        | 1655         | 3000         | 1500         | 3000         |              | 2600         |              |
| 5.00               |             |              | 2880        | 1440         | 2710         | 1355         | 2640         |              | 2600         |              |
| 6.00               |             |              | 2210        | 1105         | 2140         | 1070         | 2100         |              | 2080         |              |
| 7.00               |             |              | 1720        | 860          | 1720         | 860          | 1710         |              | 1710         |              |
| 7.50               |             |              |             |              | 1550         | 775          | 1560         |              | 1560         |              |
| 8.00               |             |              |             |              | 1400         | 700          | 1430         |              | 1430         |              |
| 9.00               |             |              |             |              | 1150         | 575          | 1200         |              | 1210         |              |
| 10.00              |             |              |             |              | 940          | 470          | 1020         |              | 1040         |              |
| 11.00              |             |              |             |              |              |              | 880          |              | 890          |              |
| 12.00              |             |              |             |              |              |              | 750          |              | 770          |              |
| 13.00              |             |              |             |              |              |              | 650          |              | 670          |              |
| 14.00              |             |              |             |              |              |              | 580          |              | 580          |              |
| 15.00              |             |              |             |              |              |              | 500          |              | 500          |              |
| 16.00              |             |              |             |              |              |              | 440          |              | 440          |              |
| 16.10              |             |              |             |              |              |              | 430          |              | 430          |              |

\*The Rated Total Load Chart is based on the actual working radius including boom deflection.  
 \*The weight of hook block (standard 4 fall/2fall -90kg) must be included as part of the load shown in the Rated Total Load Chart.  
 \*When using two fall or single fall hooks, use the appropriate four fall Rated Total Load Chart above but with a maximum load of: Two fall-3000kg, Single fall-1500kg.

Due to improvements, the specifications are subject to change without notice.

Before use, please read the Operation Manual



## MAEDA SEISAKUSHO CO.,LTD.

Head office

No.1095, Onbegawa, Shinonoi, Nagano-City, Nagano-Pref. 388-8522 Japan  
 TEL.+81(0)26 292 2228 FAX.+81(0)26 293 5590  
 URL : [www.maedaminicranes.com](http://www.maedaminicranes.com) E-mail : [contact@maeda-minicranes.com](mailto:contact@maeda-minicranes.com)