



Telescoping Crawler Crane

EU Stage III B Compliant Engine

CC985S-1

EU Stage III A Compliant Engine **NEW**

CC985S3-1

Optional
Searcher Hook (2.0t)
+ Single Fall Hook (1.5t)

Crane Capacity	Max. Lifting Height	Pick & Carry Duty
4.9t × 2.1m	16.50m	2,000kg
Max. Lifting Height with Optional Fly Jib : 20.2m		



Minimal Tail Swing



Programmable Moment Limiter



New 7 inch Multi Monitor

4 Fall / 2 Fall Hook Block



Rear View Camera & Monitor



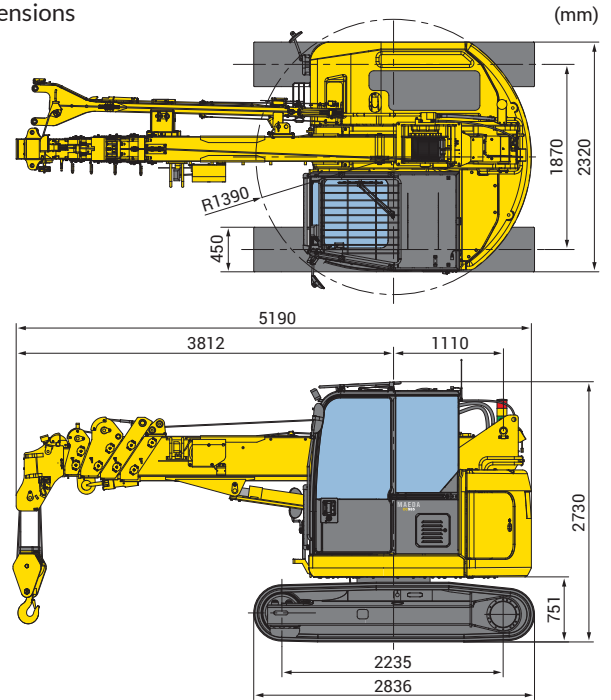
Model		CC985S-1 / CC985S3-1	
Crane capacity	Crane capacity	4.9t x 2.1m	
	Max. working radius	14.67m x 0.20t	
	Max. lifting height	16.50m (20.2m with fly jib)	
	Max. reach below ground level	-25.0m (4 falls) / -50.0m (2 falls) / -100.0m (1 fall)	
	Pick & Carry capacity	2.0t	
Weight & Dimension	Machine Weight (CC985S-1)	9,450kg (9,630kg with fly jib)	
	Machine Weight (CC985S3-1)	9,570kg (9,750kg with fly jib)	
	Overall length x width x height	5,190mm x 2,320mm x 2,730mm	
	Crawler width	450mm	
	Tail swing	1,390mm	
Winch system	Number of wire falls for Hook	4 falls / 2 falls	
	Hook speed	Low	29.0m/min (4 layers, 4 falls)
		High	38.0m/min (4 layers, 4 falls)
	Hoist wire rope	IWRC 6 x Fi(29) φ10mm x 115m	
Telescopic system	Boom type	Fully automatic 5-section pentagonal telescopic boom	
	Boom length	4.78m - 7.53m - 10.28m - 13.03m - 15.78m	
Boom hoist system	Boom telescoping stroke / time	11.0m / 24sec	
	Hoist angle / time	4~80deg / 13sec	
Slew system	Slew angle / time	360deg / 2.1rpm	
	Travel speed	Low	Forward & backward 0~2.1km/h
High		Forward & backward 0~3.4km/h	
Drive system	Gradability	20deg	
	Ground pressure	CC985S-1	46.1kPa(0.47kgf/cm ²) [46.8kPa(0.48kgf/cm ²) with fly jib]
		CC985S3-1	46.7kPa(0.48kgf/cm ²) [47.6kPa(0.49kgf/cm ²) with fly jib]
Engine	Model	ISUZU 4LE2XDPC	
	Emission level	EU Stage IIIB	
	Rated output	40.3kW / 2,000min ⁻¹ (54.8PS / 2,000rpm)	
	Model	ISUZU 4LE2XYJB	
	Emission level	EU Stage IIIA	
	Rated output	39.5kW / 2,000min ⁻¹ (53.7PS / 2,000rpm)	
	Displacement	2.179L (2.179cc)	
Fuel / Fuel tank capacity	Diesel / 140.0L		
Safety device	Hydraulic safety valve, Overwind protection, Level, Safety lock lever, Tilt alarm, EMO switch, Moment limiter, LED working status lamp, Rear view camera, Data logger		
Optional equipment	Rubber pads (weight 280kg), Single fall hook, Fly jib (430kg capacity), Searcher hook (2,000kg capacity)		

Telescoping Crawler Crane

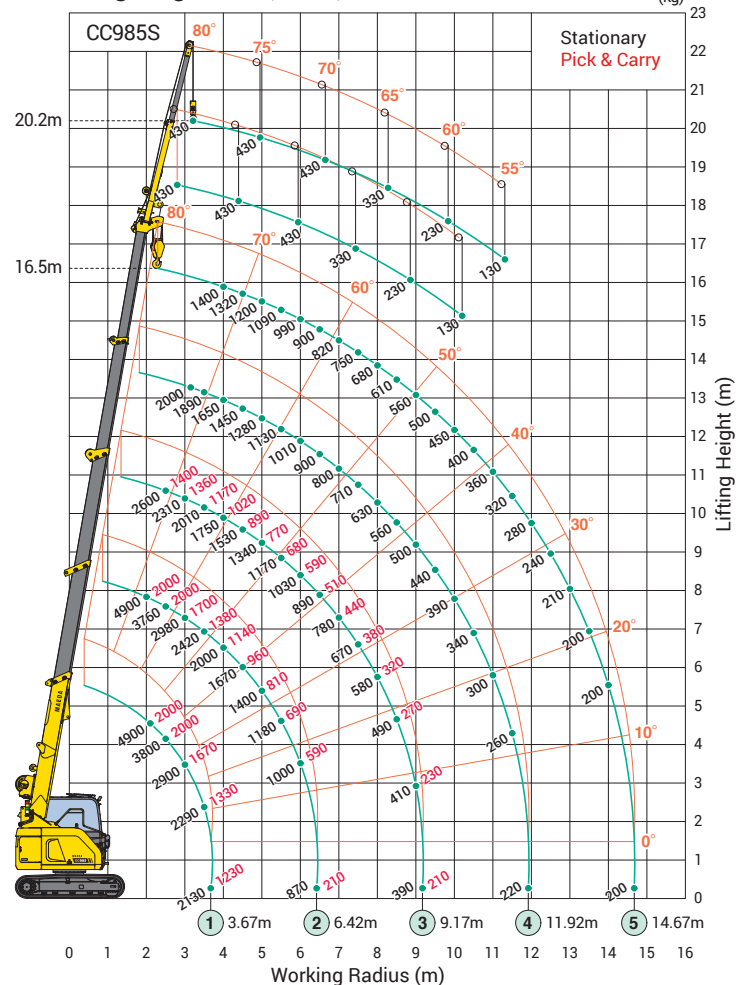
CC985S-1 / CC985S3-1

NEW

Dimensions



Working Range Chart (4 falls)



Rated Total Load Chart (4 falls)

Working radius (m)	4.78m Boom		7.53m Boom		10.28m Boom		13.03m Boom		15.78m Boom	
	Stationary	Pick & Carry	Stationary	Pick & Carry	Stationary	Pick & Carry	Stationary	Pick & Carry	Stationary	Pick & Carry
2.00	4900	2000	4900	2000	2600	1400	2000			
2.10	4900	2000	4630	2000	2600	1400	2000			
2.50	3800	2000	3760	2000	2600	1400	2000		1400	
2.70	3310	1950	3410	1940	2520	1400	2000		1400	
3.00	2900	1670	2980	1700	2310	1360	2000		1400	
3.15	2640	1550	2800	1590	2220	1300	2000		1400	
3.50	2290	1330	2420	1380	2010	1170	1890		1400	
3.67	2130	1230	2270	1290	1920	1120	1800		1400	
4.00			2000	1140	1750	1020	1650		1400	
4.50			1670	960	1530	890	1450		1320	
5.00			1400	810	1340	770	1280		1200	
5.50			1180	690	1170	680	1130		1090	
6.00			1000	590	1030	590	1010		990	
6.42			870	510	910	520	910		920	
6.50					890	510	900		900	
7.00					780	440	800		820	
7.50					670	380	710		750	
8.00					580	320	630		680	
8.50					490	270	560		610	
9.00					410	230	500		560	
9.17					390	210	480		540	
9.50							440		500	
10.00							390		450	
10.50							340		400	
11.00							300		360	
11.50							260		320	
11.92							220		280	
12.00									280	
12.50									240	
13.00									210	
13.50									200	
14.00									200	
14.67									200	

*The Rated Total Load Chart is based on the actual working radius including boom deflection.
 *The weight of hook block (standard 4 fall/2fall-90kg) must be included as part of the load shown in the Rated Total Load Chart.
 *When using two fall or single fall hooks, use the appropriate four fall Rated Total Load Chart above but with a maximum load of: Two fall-2450kg, Single fall-1220kg.

Due to improvements, the specifications are subject to change without notice. Before use, please read the Operation Manual



MAEDA SEISAKUSHO CO.,LTD.

Head office | No.1095, Onbegawa, Shinonoi, Nagano-City, Nagano-Pref. 388-8522 Japan
 TEL:+81(0)26 292 2228 FAX:+81(0)26 293 5590
 URL : www.maedaminicranes.com E-mail : contact@maeda-minicranes.com